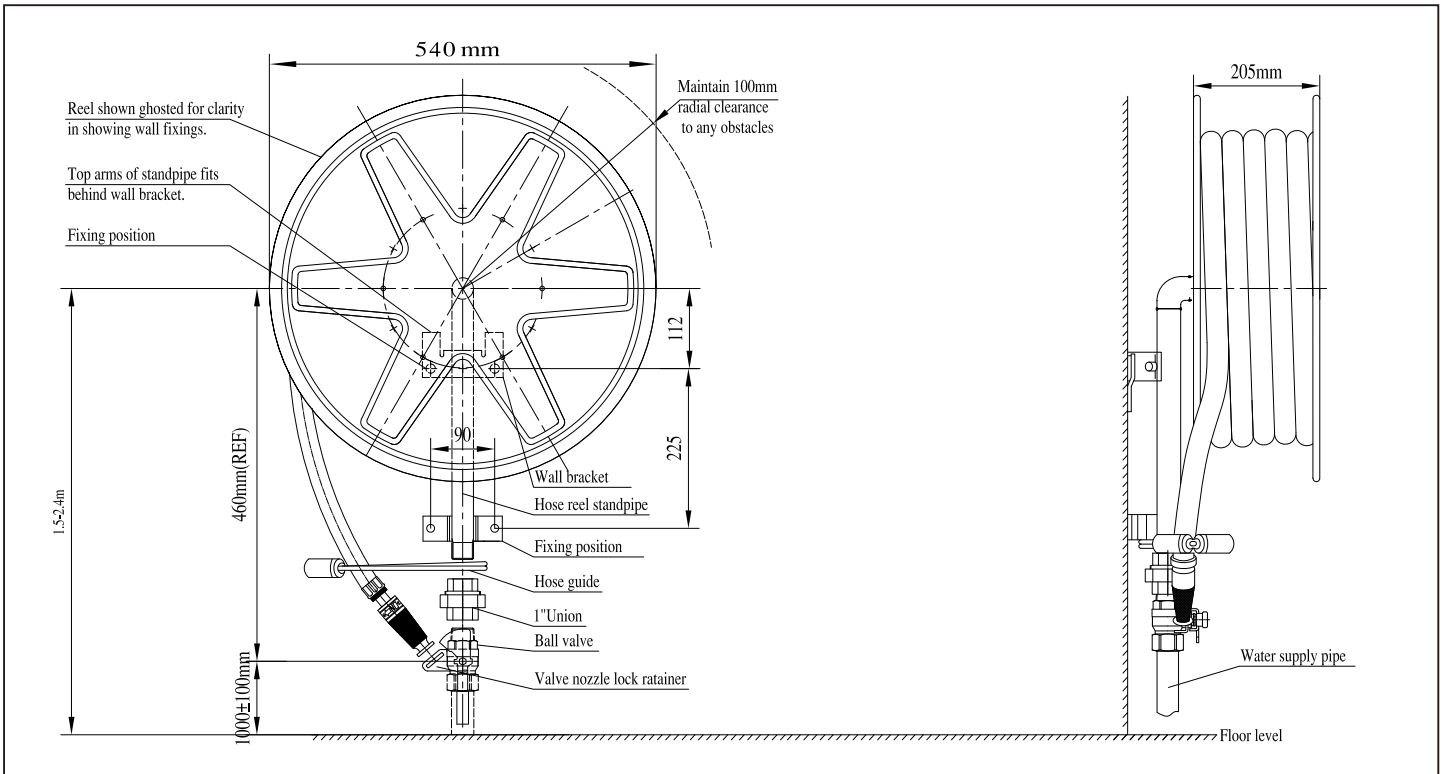


36m Fire Hose Reel



FEATURES

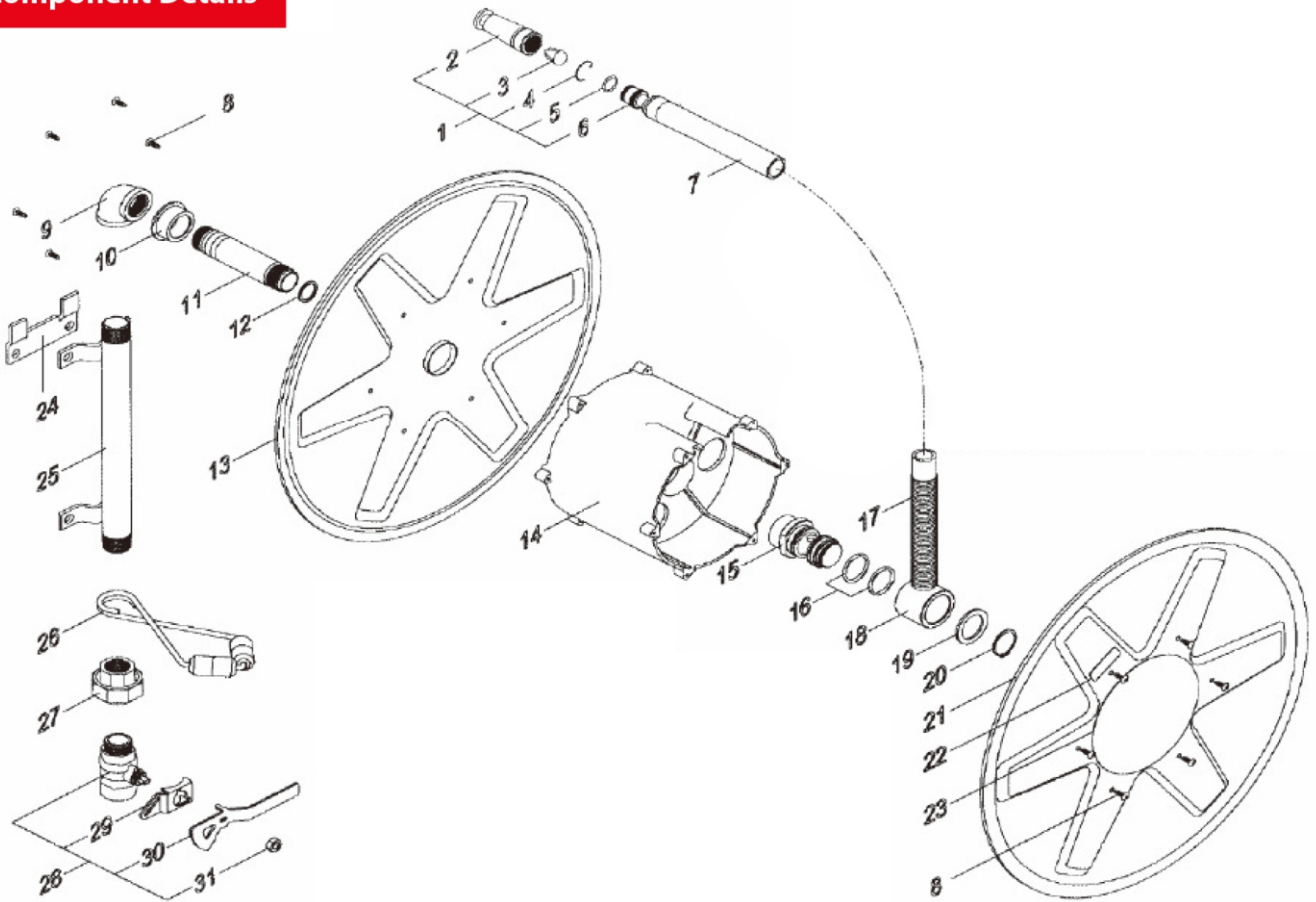
- : A heavy duty ,fast fit hose reel. This is ideal for aggressive enviroments such as Marine and Mining.
- : A simple operation and maintenance hose reel.
- : A design that has been in use in Australia for over 30 years. Proven over the test of time.
- :Meets or exceeds requirements of Australian standard AS1221.
- : With a one-year warranty from date of delivery



Item	Description	Item	Description
Model Number	HS3626-540	Support Assembly	Mild Steel, Galvinised
Part Number	RH301917A	Hoseguide Assembly	Mild Steel, Zinc Plated
Standard HoseLength&Dia	36 meters X19mm Dia	Union	Malleable Iron, Galvanised
Approvals	AS/NZS 1221	Ball Valve Assembly	Brass / Mild Steel Handles
Minimum Inlet Pressure	220kPa	Nozzle Assembly	Brass
Maximum Working Pressure	1.0MPa	Drum	Polypropylence Copolymer
Side Plates	Steel Sheet Shoving Enamel Red	Hose Spring	Galvanised Spring Steel
Gland	Acetal Copolymer	Tailpiece	Acetal Copolymer
Spindle	Mild Steel	Circlip	Stainless Steel
Bearing	Acetal Copolymer	Inlet Pivot Pipe	Galvanised Mild Steel Pipe
Elbow	Malleable Iron,Galvanised	Wall bracket	Mild Steel

36m Fire Hose Reel

Component Details



No.	Part No.	Description	No.	Part No.	Description
1	RH300447	Nozzle Assembly	23	RH301917A-T	Main Label
2		Nozzle Outer	24	RH301917-4	Wall bracket
3		Nozzle Insert	25	/	Support Assembly
4		Wire Nozzle Clip	26	RH301917-5	Hoseguide Assembly
5		Nozzle O Ring	27	/	Union
6		Nozzle Inner	28	RH300105	Ball Valve Assembly
7		Hose Assembly Complete with Nozzle and Tailpiece Pressure/Leak tested	29	RH300105-11	Interlock Retainer
			30	RH300105-12	Interlock Handle
8	RH301917-10	Screw	31	/	Interlock Nut
9	/	Elbow			
10	RH301917-6	Bearing			
11	/	Spindle			
12	RH301917-12	Gland Seal Washer			
13	RH301917-1	Side Plate Inner			
14	RH301917-9	Drum			
15	RH301917-7	Gland Inner			
16	RH301917-11	Gland Seal Quad Rings			
17	RH300442-3	Hose Spring			
18	RH300447-3	Tailpiece			
19	RH301917-8	Retaining Washer			
20	/	Circlip			
21	RH301917-2	Side Plate Outer			

Available from

